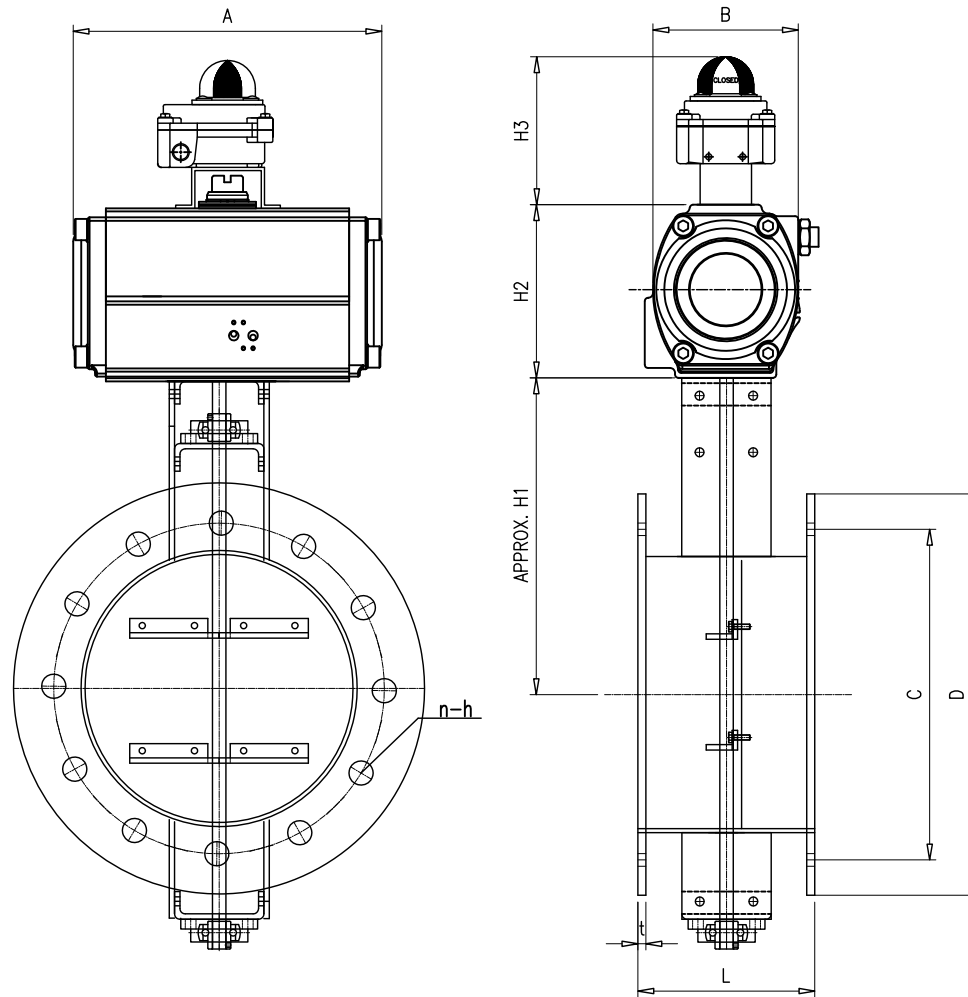


PNEUMATIC ON-OFF ROUND DAMPER

SPECIFICATION			
PRESSURE	MAX. 800 (mmAq)	Q'TY	
DESIGN TEMP.	MAX. 400 (°C)	LEAKAGE	ABOUT 3%
GAS OPER TEMP.	300 (°C)	OPERATION	ON-OFF
GAS FLOW RATE	- (Kg/hr)	ACTUATOR	PNEUMATIC
FLUID	AIR / GAS	TYPE	BUTTERFLY DAMPER



* END CONN. : JIS 5K FF

SIZE	A	B	L	C	D	t	H1	H2	H3	n-h	MODEL
250A	202	89	200	345	385	22	480	87	132	12-23	SS65D-DP250-FCG-M
350A	262	101	200	435	480	24	525	106	132	12-25	SS80D-DP350-FCG-M

* OTHER MATERIALS ARE AVAILABLE.

NO.	DESCRIPTION	MATERIAL	Q'TY	MAKER	REMARK'S
9	SPEED CONTROLLER	OPEN/CLOSE	1	AS2000-02	
8	LIMIT S/W	OPEN/CLOSE	1	APL341	2-PROXIMITY (DC24V)
7	ACTUATOR	AL DIECAST	1		DOUBLE ACTING
6	BRACKET	STAINLESS STEEL	1	-	
5	GLAND	SUS316	1	-	
4	SHAFT	SUS316	1	-	
3	FLANGE	SUS316	1	-	
2	BLADE	SUS316	1	-	
1	BODY	SUS316	1	-	

NO.	DATE	REVISION DESCRIPTION	SIGNATURE
△	2015.07.31		Y.J.LEE
△			

KOVATEC CO.,										SCALE	PROJECTION
PNEUMATIC ON-OFF DAMPER										A3	1st
TITLE										EQUIPMENT	NO.
SIGNATURE										MAKER	NO.
DATE										2015.07.31	TK-2015-DPN