

**\*\* MODEL / DEMENSION**

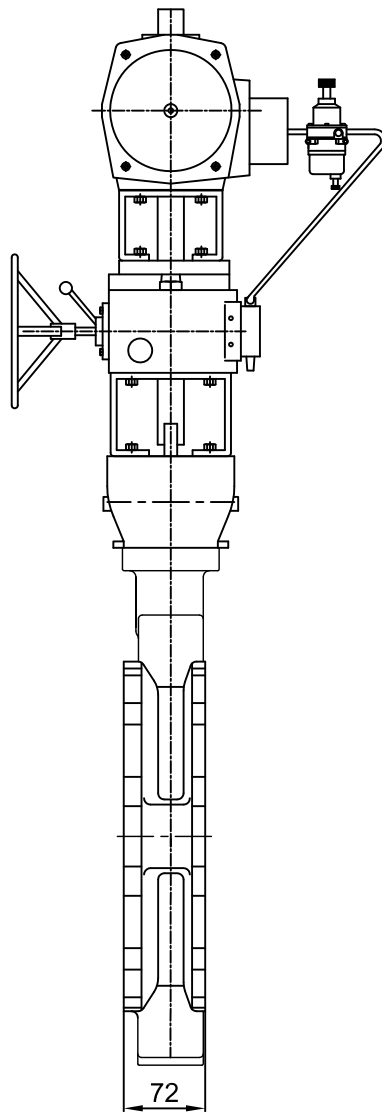
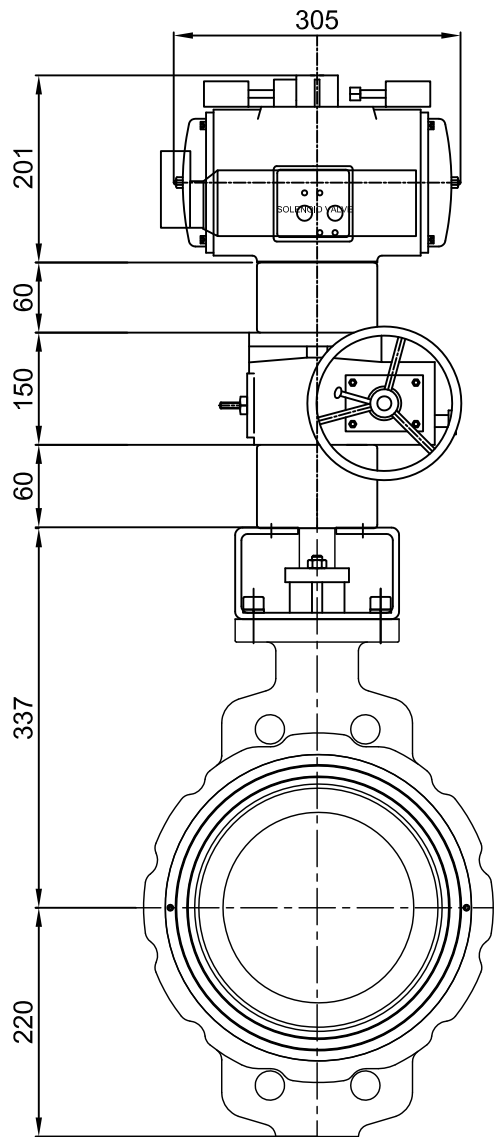
MODEL	SIZE	A	B	C	D	E	F	L
SC-ED65/10LU-GT	65A	199	269	98	65	109	83	46
SC-ED100/10LU-GT	100A	221	282	108	65	129	111	52

\* PNEUMATIC DOUBLE ACTING HIGH PERFORMANCE BUTTERFLY VALVE  
 INCLUDED : PROXIMITY SWITCH (OPEN/CLOSE) DC24V 2WIRE  
 SOLENOID VALVE (AC 110V, NAMUR), SPEED CONTROLLER  
 AIR SET, MANUAL LEVER

\* VALVE MATERIAL  
 BODY - SCS13  
 DISC - SCS13  
 SEAT - P-TFE  
 BRACKET - SUS

\* END CONN : JIS 10K WAFER

DESIGNED	DATE	MODEL		KOVATEC CO.,
DRAWN JUNG	DATE 2007.07.25	SIZE -	RATING -	
CHECKED	DATE	MATERIAL -		ITEM
REVIEWED	DATE	SCALE NS	Q'TY 6	TITLE APPROVAL DRAWING
APPROVED	DATE	FILE NO. Z:\ACAD\MOD\...		DRAWING NO. - SHEET 1 / 1



ITEM. NO. :  
 FUNCTION : ON - OFF  
 SIZE : 250A  
 Q'TY : 1 SET  
 FAIL ACTION : STOP  
 VALVE TYPE : BUTTERFLY VALVE  
 PROJECT NAME :

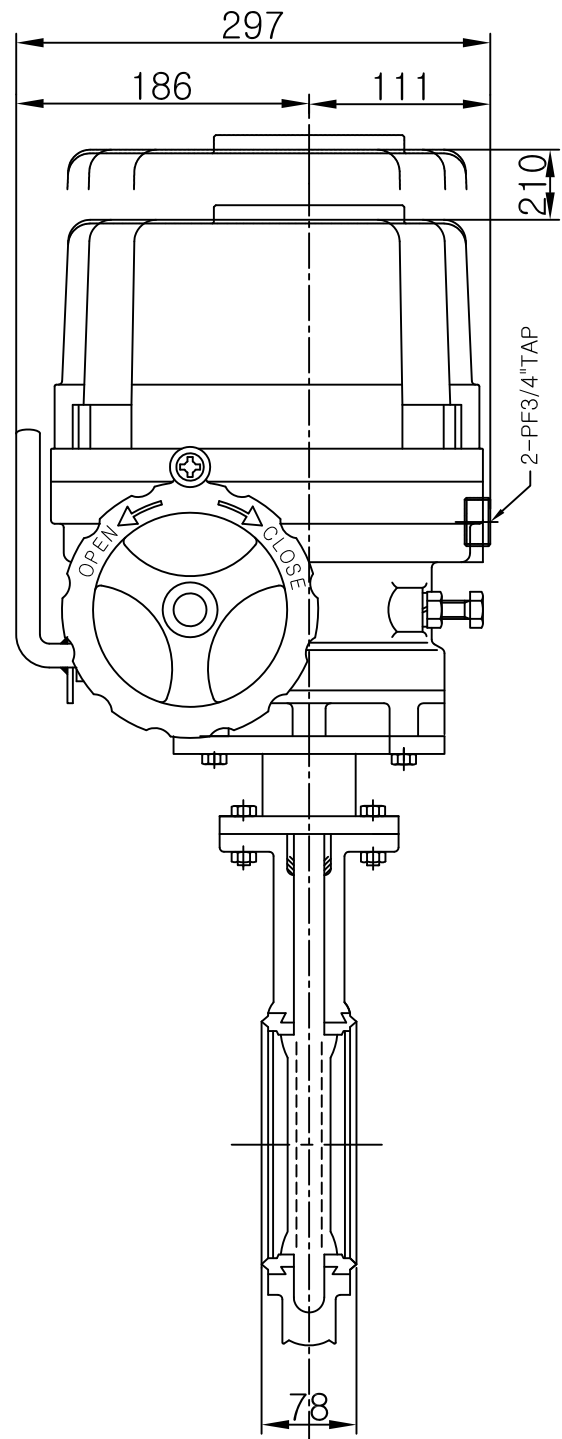
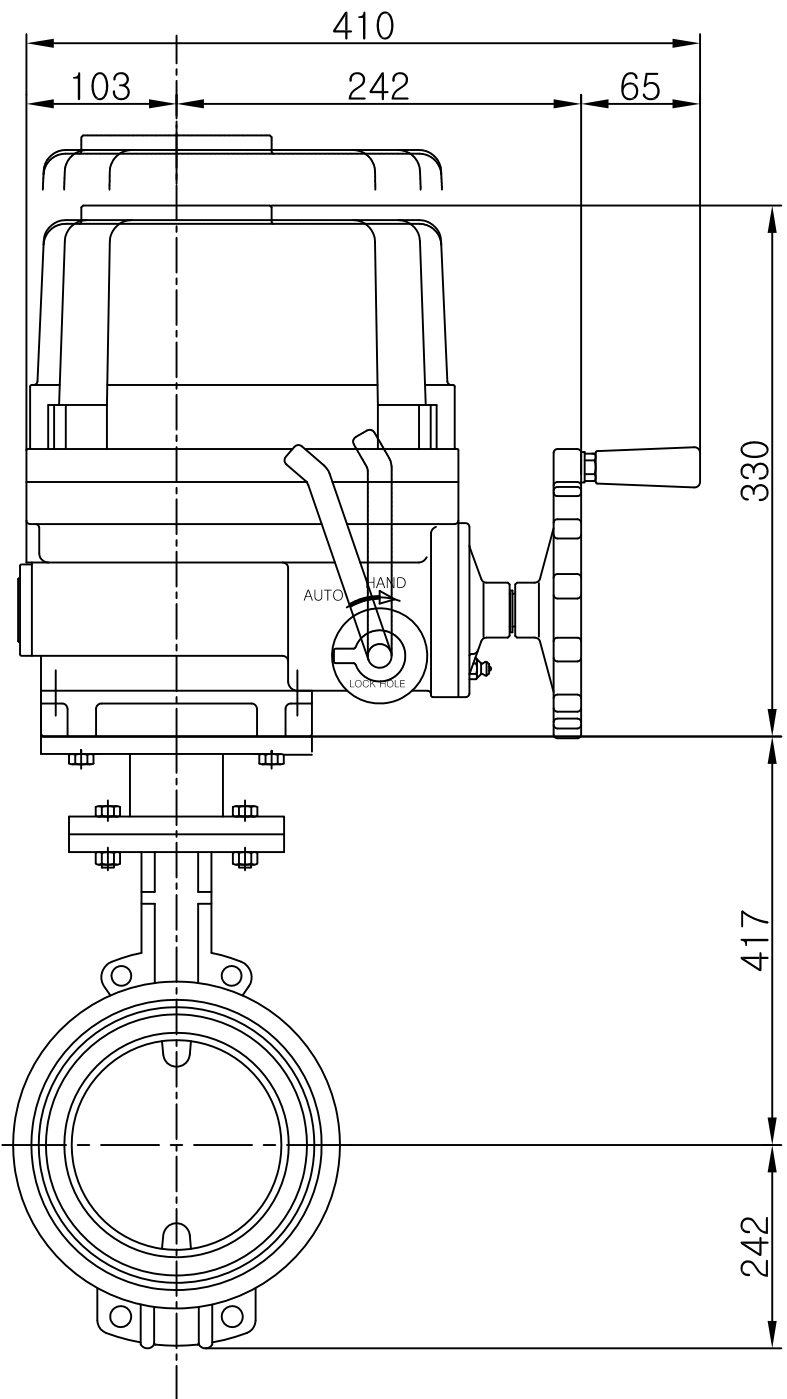
NO.	DESCRIPTION	MATERIAL	REMARK
1	BODY	SCS 13	
2	DISC	SCS 13	
3	STEM	SUS 304	
4	SEAT	R-PTFE	
5	COUPLING	SUS 304	
6	BRACKET	SUS 304	
7	ACC'Y BRACKET	STEEL	
8	ACTUATOR	ALUMINUM DIECAST	ED 350
9	AIR SET		SC300
10	MANUAL HANDLE		F453-060
11	LIMIT SWITCH		ROLLER LEVER

- 1. RATING ■ JIS 10K □ ANSI 150#
- 2. CONNECTION : WAFER
- 3. ACTUATOR : DOUBLE ACTING (RACK & PINION)

H · P BUTTERFLY VALVE WITH PNEUMATIC ACTUATOR

DATE APPD	2007. 09. 01	MODEL
APPD BY		ED350/BF250AA-EAD (ACTUATOR/VALVE)
CHKD BY		
DSGEN BY		
DRAWN BY	HAN	

**KOVATEC CO., LTD**



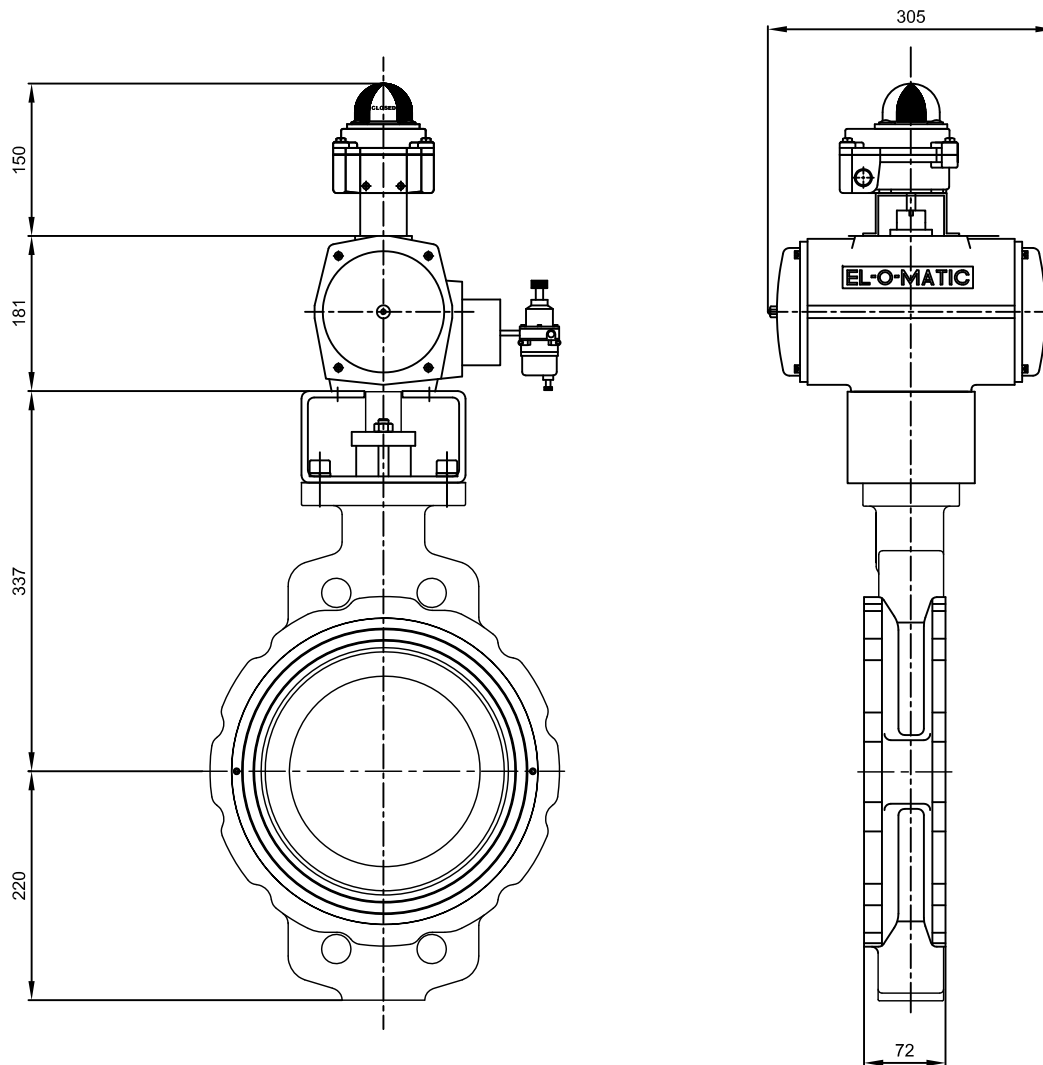
NO.	DESCRIPTION	MATERIAL	REMARK
1	BODY	FCD	
2	DISC	SCS 13 + TEFLON COATING	
3	STEM	SUS 304	
4	SEAT	TEFLON	
5	COUPLING	STEEL	
6	BRACKET	STEEL	
7	ACTUATOR	ALUMINUM DIECAST	
8			
9			
10			
11			
12			

- 1. RATING :   ■ JIS 10K   □ ANSI 150#
- 2. CONNECTION : 300A WAFER
- 3. ACTUATOR : ELECTRIC ACTUATOR

### 2-WAY BUTTERFLY VALVE WITH ELECTRIC ACTUATOR

DATE APPD	2007. 10. 05	DRAWING NO.	
APPD BY		SC-EL800-T300A	
CHKD BY			
DSGEN BY			
DRAWN BY	C.H.KIM		

**KOVATEC CO., LTD**



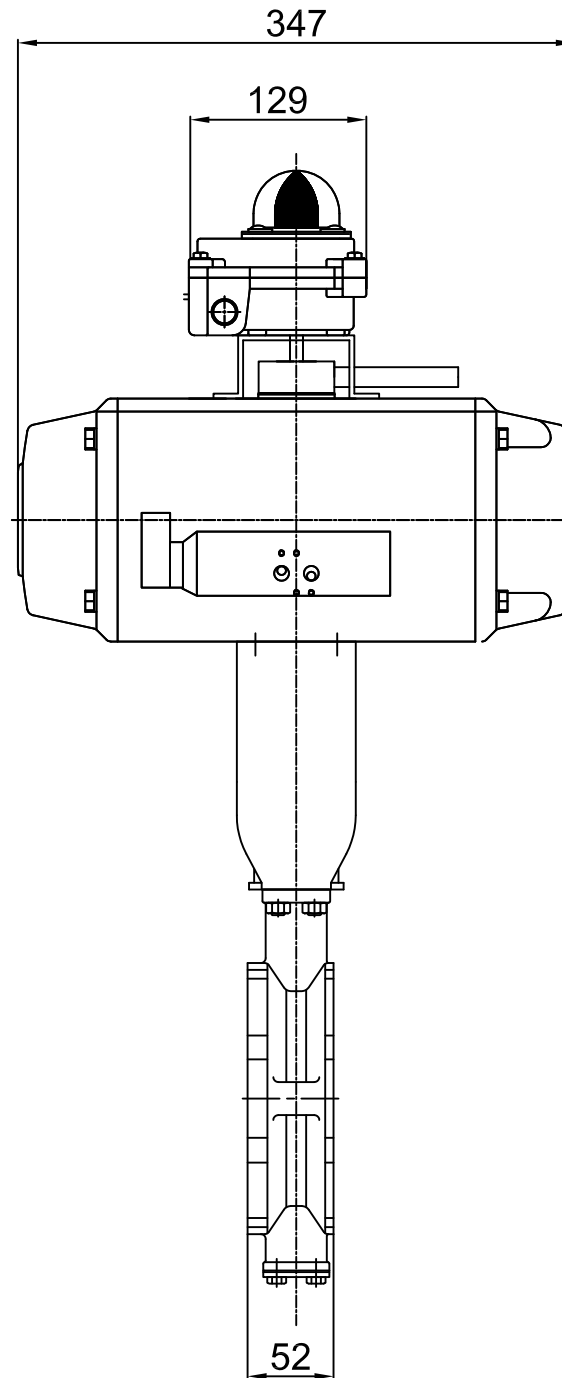
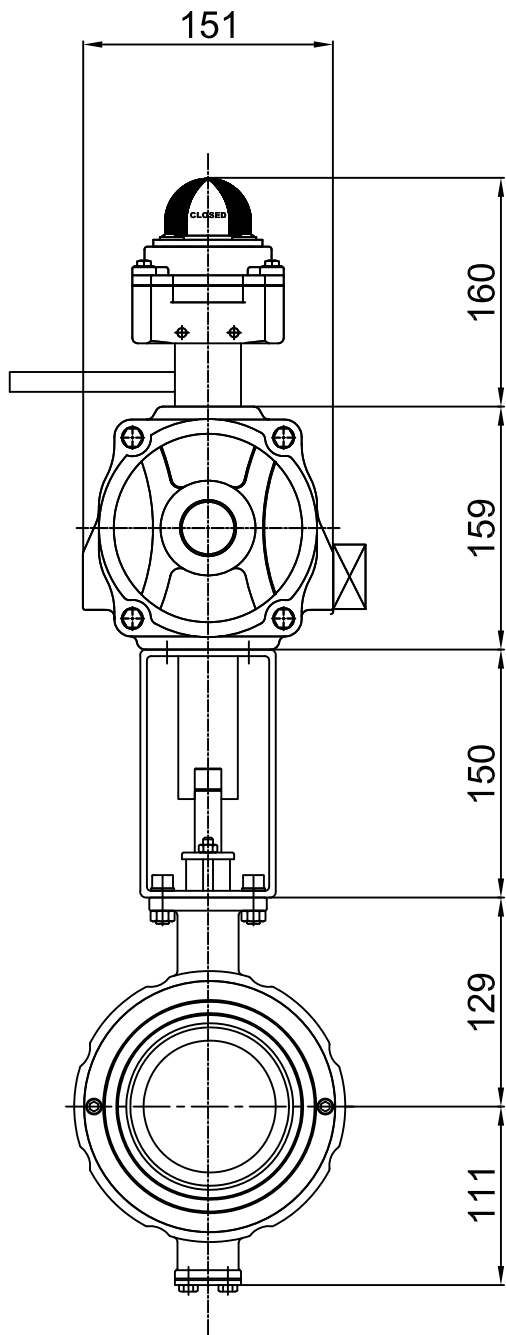
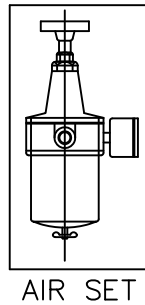
NO.	DESCRIPTION	MATERIAL	REMARK
1	BODY	SCS 13	
2	DISC	SCS 13	
3	STEM	SUS 304	
4	SEAT	RTFE	
5	BRACKET	SUS 304	
6	ACTUATOR	ALUMINUM DIECAST	ED-125H
7	AIR SET		SC300
8	LIMIT SWITCH		APL310
9	SPEED CONT.		
10			
11			

1. RATING :   ■ JIS 10K   □ ANSI 150#
2. CONNECTION : 250A WAFER
3. ACTUATOR : DOUBLE ACTING (RACK & PINION)

## H · P BUTTERFLY VALVE WITH PNEUMATIC ACTUATOR

DATE APPD	2008.08.01	MODEL
APPD BY		ED125H-BF250AA-EAD (ACTUATOR/VALVE)
CHKD BY		
DSGEN BY		
DRAWN BY	HAN	

**KOVATEC CO., LTD**



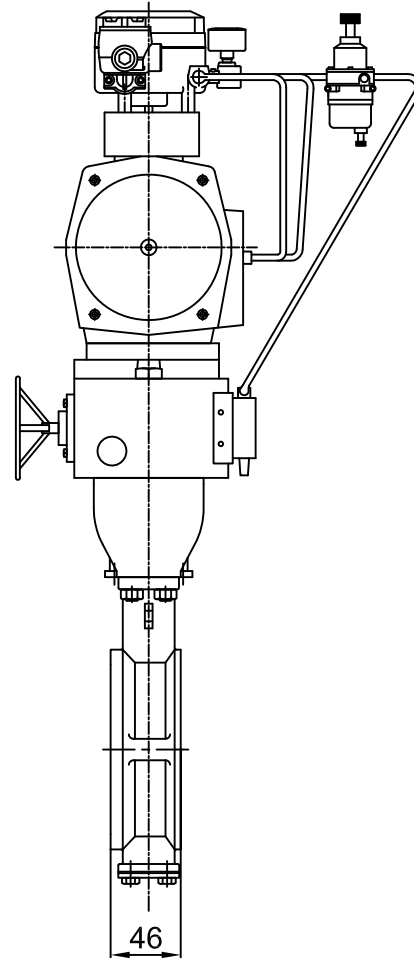
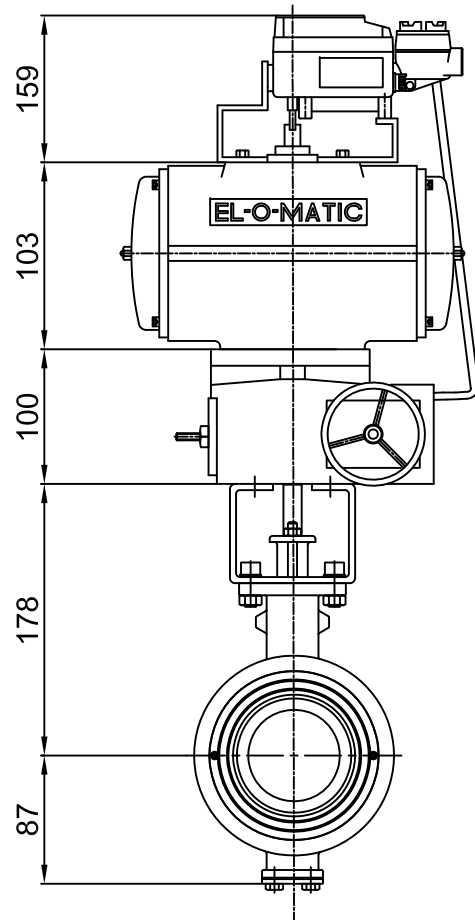
NO.	DESCRIPTION	MATERIAL	REMARK
1	BODY	SUS 304	
2	DISC	SUS 304	
3	STEM	SUS 304	
4	SEAT	SUS 304	
5	BRACKET	SUS 304	
6	ACTUATOR	ALUMINUM DIECAST	ED-100
7	AIR SET		SC300
8	LIMIT SWITCH		APL310
9	SPEED CONT.		
10			
11			

1. RATING :   ■ JIS 10K   □ ANSI 150#
2. CONNECTION : 100A WAFER
3. ACTUATOR : DOUBLE ACTING (RACK & PINION)

## H · P BUTTERFLY VALVE WITH PNEUMATIC ACTUATOR

DATE APPD	2008. 10. 01	MODEL
APPD BY		SC-ED100/604-3 10LU-GT (ACTUATOR/VALVE)
CHKD BY		
DSGEN BY		
DRAWN BY	HAN	

**KOVATEC CO., LTD**



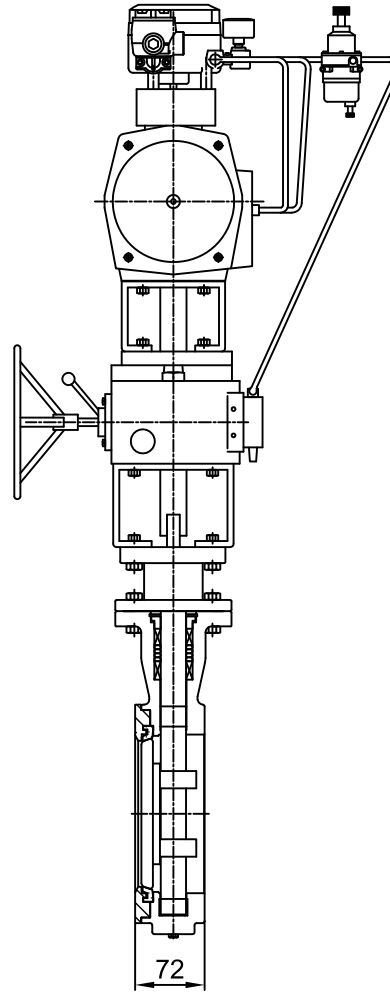
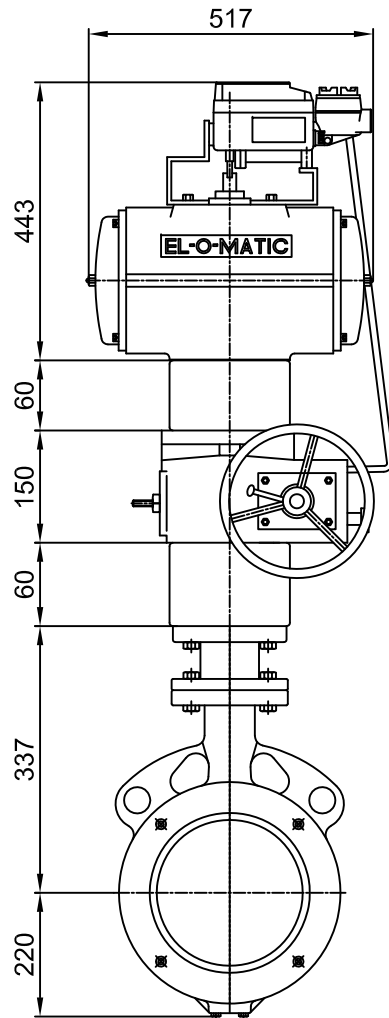
NO.	DESCRIPTION	MATERIAL	REMARK
1	BODY	SCS 13	
2	DISC	SCS 13	
3	STEM	SUS 304	
4	SEAT	R-PTFE	
5	ACTUATOR	ALUMINUM DIECAST	
6	AIR SET		
7	MANUAL HANDLE		
8	E/P POSITIONER		
9			
10			
11			

1. RATING : ■ JIS 10K
2. CONNECTION : 80A WAFER
3. ACTUATOR : DOUBLE ACTING (RACK & PINION)

H · P BUTTERFLY VALVE WITH PNEUMATIC ACTUATOR

DATE APPD	2008. 11. 25	MODEL
APPD BY		SC-ED100/604-3,10LUGT (ACTUATOR/VALVE)
CHKD BY		
DSGEN BY		
DRAWN BY	HAN	

**KOVA TECH CO ., LTD**



ITEM. NO. : Q20957277      FAIL ACTION :  
 FUNCTION : CONTROL      VALVE TYPE : H·P 10K BUTTERFLY VALVE  
 SIZE : 250A      PROJECT NAME :  
 Q'TY : 1 SET

NO.	DESCRIPTION	MATERIAL	REMARK
1	BODY	SCS 13	
2	DISC	SCS 13	
3	STEM	SUS 304	
4	SEAT	R-PTFE	
5	COUPLING	SUS 304	
6	BRACKET	SUS 304	
7	ACC'Y BRACKET	STEEL	
8	ACTUATOR	ALUMINUM DIECAST	ED 350
9	AIR SET		SC300
10	MANUAL HANDLE		F453-060
11	E/P POSITIONER		SH-1209R-H

- 1. RATING ■ JIS 10KANSI 150#
- 2. CONNECTION : WAFER
- 3. ACTUATOR : DOUBLE ACTING (RACK & PINION)

H·P BUTTERFLY VALVE WITH PNEUMATIC ACTUATOR

DATE APPD	2007. 07. 25	MODEL
APPD BY		SC-ED350/10LU-GT (ACTUATOR/VALVE)
CHKD BY		
DSGEN BY		
DRAWN BY	HAN	

**KOVA TECH CO., LTD**