

MODEL : ED200-0801

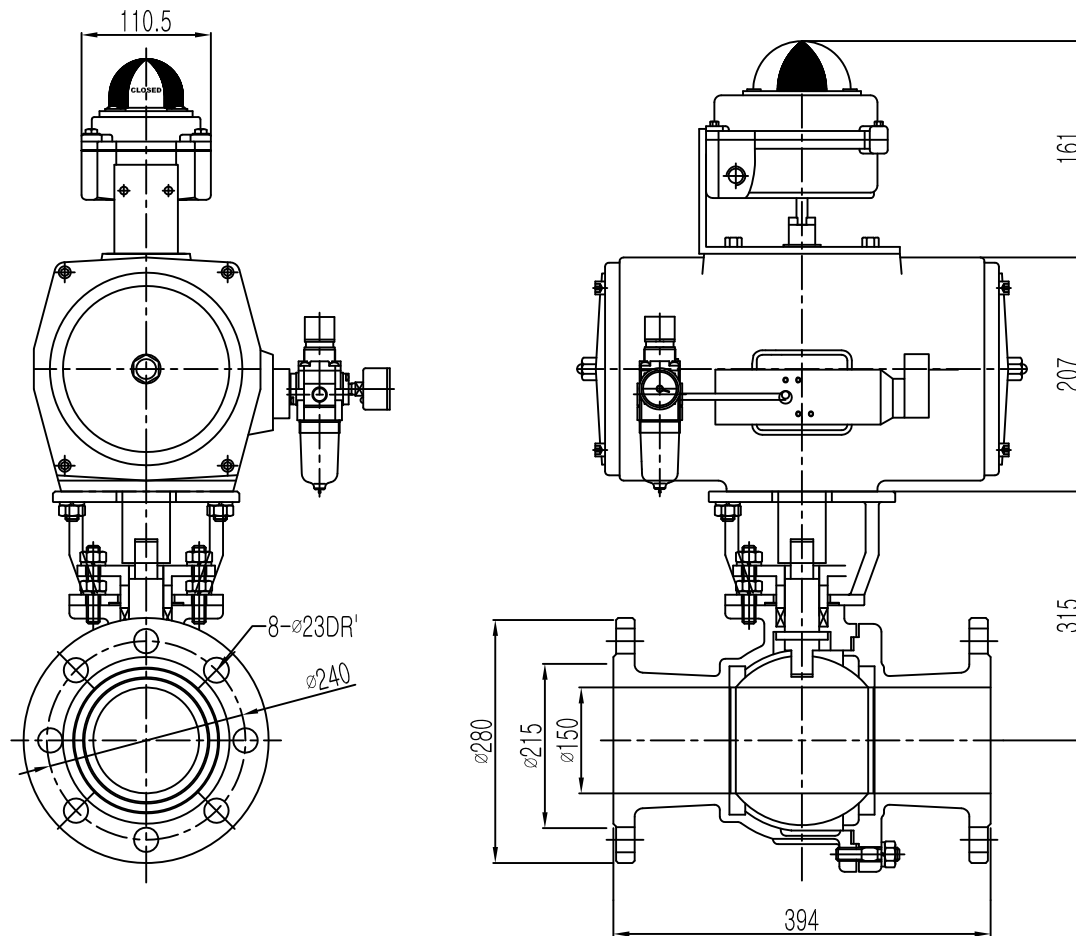
NO.	DESCRIPTION	MATERIAL	REMARK
1	BODY	SCS 13	
2	BALL	SCS 13	
3	STEM	SUS 304	
4	SEAT	PTFE	
5	COUPLING	SUS304	
6	BRACKET	SUS304	
7	ACTUATOR	ALUMINUM DIECAST	ED-200
8	AIR SET		SC300
9	SOL.VALVE	AC110V / 60Hz	YT700
10	LIMIT S/W		APL320N(H)

1. RATING : ■ JIS 10K □ ANSI 150#
2. CONNECTION : 80A RF
3. ACTUATOR : DOUBLE ACTING

2-WAY BALL VALVE WITH
PNEUMATIC ACTUATOR

DATE APPD	2008.04.07	DRAWING NO.	
APPD BY		KV-0812-2	
CHKD BY			
DSGEN BY			
DRAWN BY	C.H.KIM		

KOVATEC CO., LTD



NO.	DESCRIPTION	MATERIAL	REMARK
1	BODY	SCS13	
2	BALL	SCS13	
3	STEM	SS304	
4	SEAT	PTFE	
5	COUPLING	STEEL	
6	BRACKET	AL	
7	ACC'Y BRACKET	STEEL	
8	ACTUATOR	ALUMINUM DIECAST	ED600
9	AIR SET		SC300
10	LIMIT SWITCH		APL310
11	SOL. VALVE		YT700

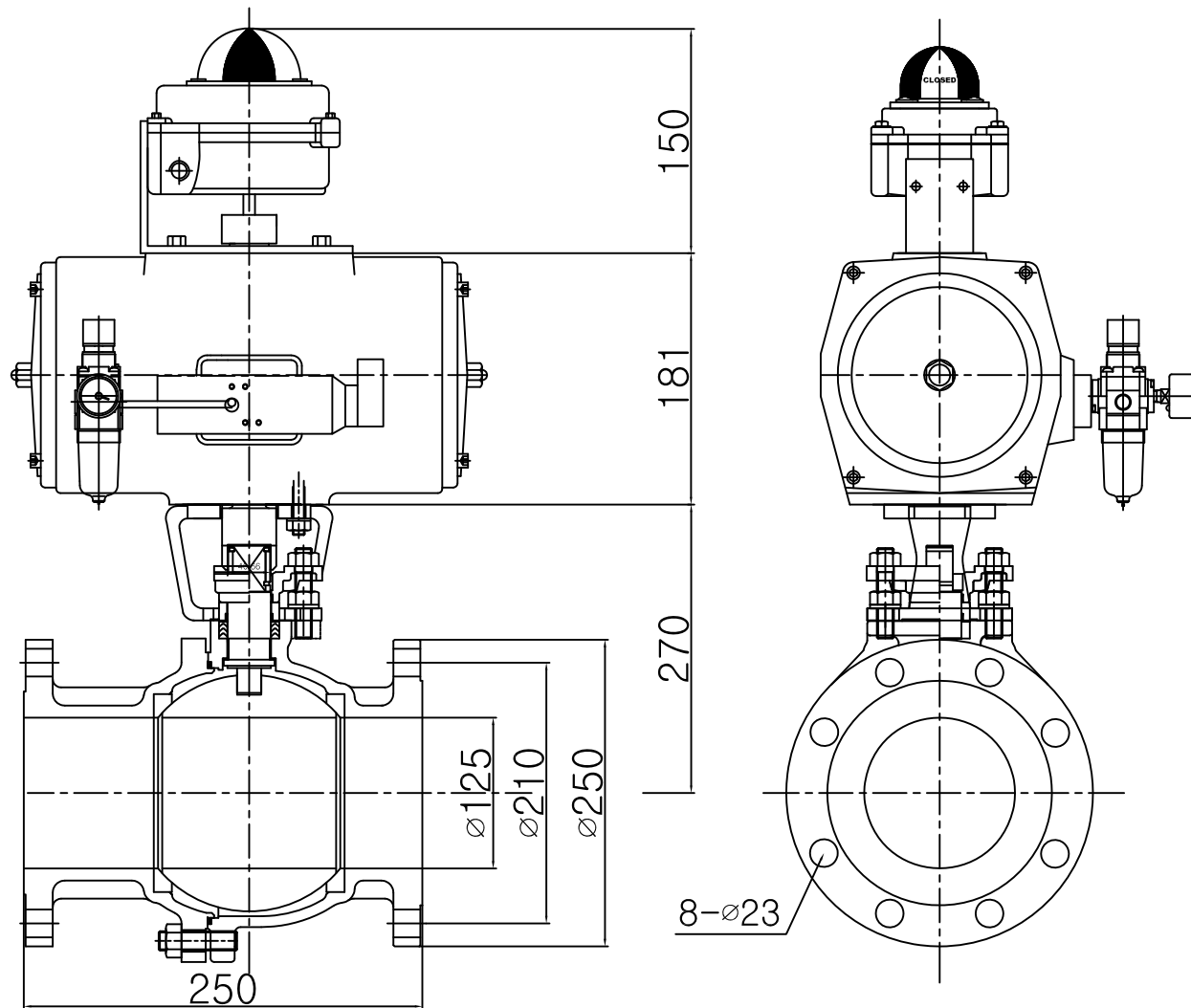
- RATING : JIS 10K ANSI 150#
- CONNECTION : RF
- ACTUATOR : DOUBLE ACTING (RACK & PINION)

2-WAY BALL VALVE WITH PNEUMATIC ACTUATOR

DATE APPD	2007. 10. 02.	MODEL
APPD BY		ED600/A150A-BAA
CHKD BY		
DSGEN BY		
DRAWN BY	KIM	

ITEM. NO. :
 FUNCTION : ON-OFF
 SIZE : 150A
 Q'TY : 1 SET
 FAIL ACTION : STOP
 VALVE TYPE : 2-WAY BALL VALVE (10K)
 PROJECT NAME :

KOVATEC



MODEL : ED350-A125A-BAASFMG

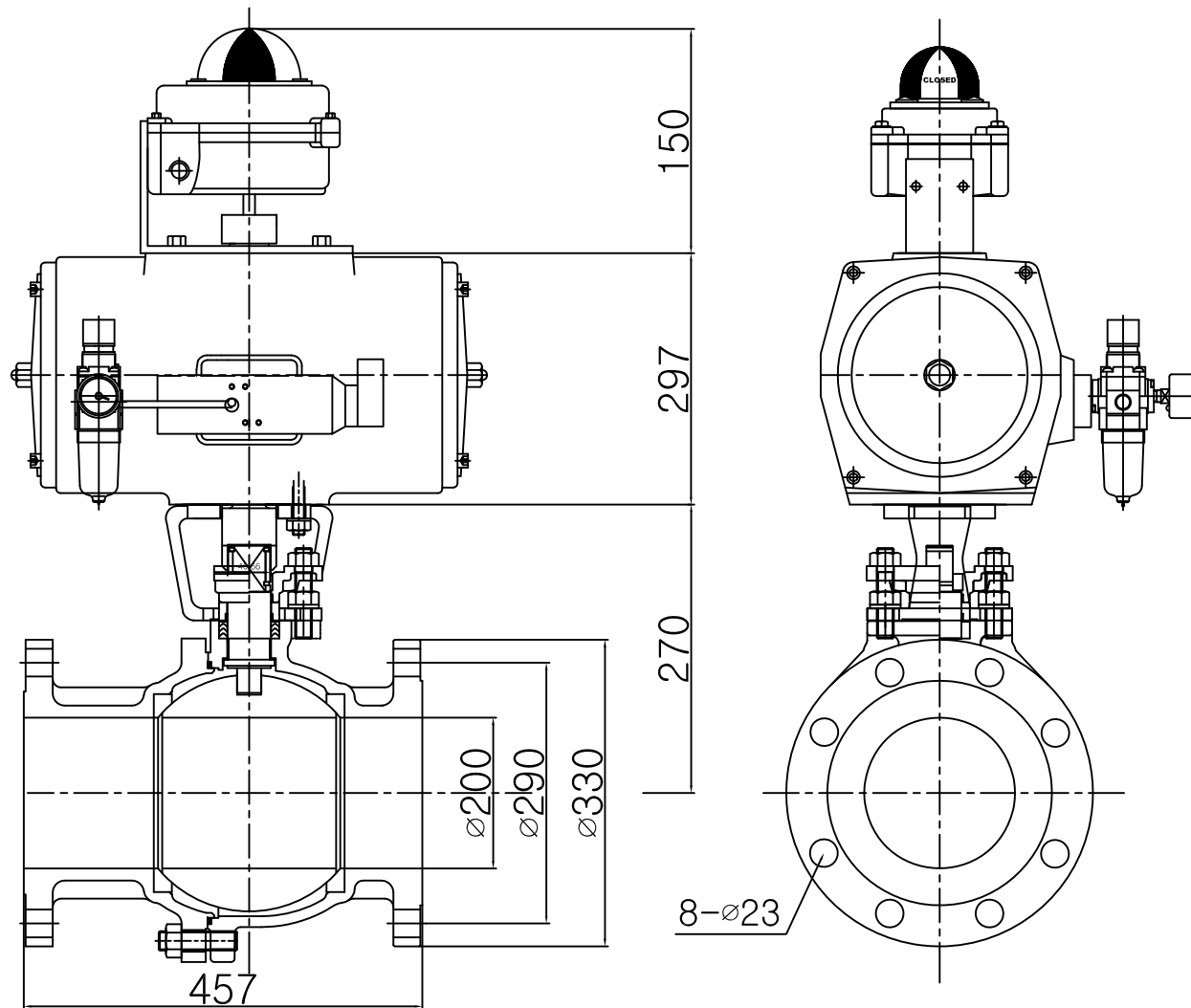
NO.	DESCRIPTION	MATERIAL	REMARK
1	BODY	SCS 13	
2	BALL	SCS 13	
3	STEM	SUS 304	
4	SEAT	PTFE	
5	COUPLING	SUS304	
6	BRACKET	SUS304	
7	ACTUATOR	ALUMINUM DIECAST	ED-350
8	AIR SET		SC300
9	SOL.VALVE	AC110V / 60Hz	YT700
10	LIMIT S/W		APL320N(H)

1. RATING : ■ JIS 10K □ ANSI 150#
2. CONNECTION : 125A RF
3. ACTUATOR : DOUBLE ACTING

2-WAY BALL VALVE WITH PNEUMATIC ACTUATOR

DATE APPD	2008.04.07	DRAWING NO.	
APPD BY		KV-0810-2	
CHKD BY			
DSGEN BY			
DRAWN BY	C.H.KIM		

KOVATEC CO., LTD



MODEL : ED1600-A200A-BAASFMG

NO.	DESCRIPTION	MATERIAL	REMARK
1	BODY	SCS 13	
2	BALL	SCS 13	
3	STEM	SUS 304	
4	SEAT	PTFE	
5	COUPLING	SUS304	
6	BRACKET	SUS304	
7	ACTUATOR	ALUMINUM DIECAST	ED-1600
8	AIR SET		SC300
9	SOL.VALVE	AC110V / 60Hz	YT700
10	LIMIT S/W		APL320N(H)

1. RATING : ■ JIS 10K □ ANSI 150#
2. CONNECTION : 200A RF
3. ACTUATOR : DOUBLE ACTING

2-WAY BALL VALVE WITH
PNEUMATIC ACTUATOR

DATE APPD	2008.04.07	DRAWING NO.	
APPD BY		KV-0809-3	
CHKD BY			
DSGEN BY			
DRAWN BY	C.H.KIM		

KOVATEC CO., LTD