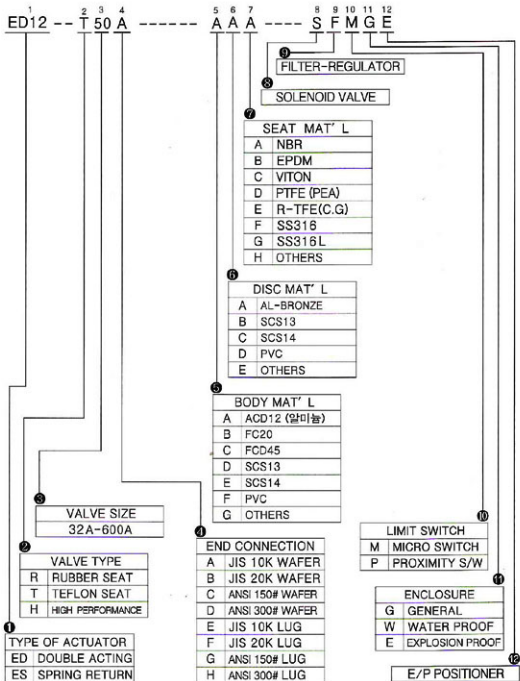


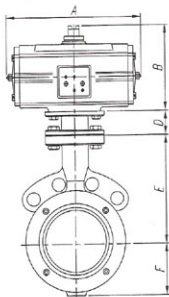
# PNEUMATIC BUTTERFLY VALVE

(ORDERING INFORMATION)



# PNEUMATIC ACTUATOR & VALVE

## H · P BUTTERFLY VALVE - WAFER (DOUBLE ACTING ACTUATOR)



NOTE : 1) DOUBLE ACTING TYPE

2) ACC'Y OPTION : SOLENOID VALVE, LIMIT S/W BOX, AIR SET

\*\* DIMENSION / STANDARD MODEL

### Specifications

#### -Actuator

- pressure 0.2to 10 bar
- temperature -20c to +80c
- rotation 91.5° (0.5°cw to 91°ccw)
- materials casing : aluminium alloy  
shaft : high-grade aluminium alloy
- finish 2-component polyurethane
- service life one million operations, minimum

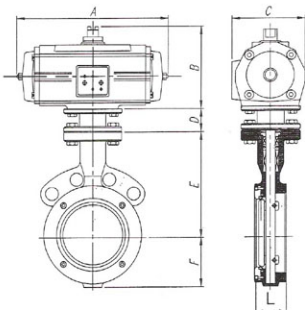
#### -Valve Material

PART NAME	MATERIAL
BODY	DUCTILE IRON
DISC	SCS 13
STEM	SUS 304
SEAT	R-TFE
CONNECTION	JIS 10K WAFER
MAX. TEMP.	200°C

MODEL	SIZE	A	B	C	D	E	F	L	P.C.D
ED 40	50A	180	113	96	60	130	56	45	120
ED 40	65A	180	113	96	80	135	65	48	140
ED 65	80A	199	125	107	60	140	80	50	150
ED 65	100A	199	125	107	60	160	95	56	175
ED 100	125A	221	138	117	60	180	110	63	210
ED 200	150A	283	163	137	80	235	120	69	240
ED 200	200A	283	163	137	80	265	155	84	290
ED 350	250A	305	201	182	80	305	215	93	355
ED 600	300A	387	250	217	120	335	250	100	400
ED 950	350A	424	289	241	120	370	260	117	445
ED 950	400A	424	289	241	120	395	325	120	510
PD1600	450A	516	327	275	150	440	345	123	565
PD2500	500A	378	386	358	150	470	390	125	620

# PNEUMATIC ACTUATOR & VALVE

## H · P BUTTERFLY VALVE - WAFER (SPRING RETURN ACTUATOR)



NOTE : 1) SINGLE ACTING TYPE

2) ACC'Y OPTION : SOLENOID VALVE, LIMIT S/W BOX, AIR SET

※ DIMENSION / STANDARD MODEL

### Specifications

#### - Actuator

- pressure 0.2 to 10 bar
- temperature -20°C to +60°C
- rotation 91.5° (0.5° cw to 91° ccw)
- materials casing : aluminium alloy  
shaft : high-grade aluminium alloy
- finish 2-component polyurethane
- service life one million operations, minimum

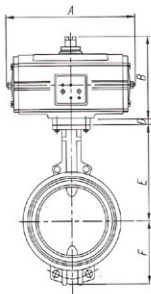
#### - Valve Material

PART NAME	MATERIAL
BODY	DUCTILE IRON
DISC	SCS 13
STEM	SUS 304
SEAT	R-TFE
CONNECTION	JIS 10K WAFER
MAX. TEMP.	200 °C

MODEL	SIZE	A	B	C	D	E	F	L	P.C.D
ES 40	50A	204	113	96	60	130	56	45	120
ES 40	65A	204	113	96	60	135	85	48	140
ES 65	80A	249	125	107	60	140	80	50	150
ES 100	100A	267	138	117	60	160	95	56	175
ES 200	125A	360	163	137	60	180	110	63	210
ES 200	150A	360	163	137	80	235	120	69	240
ES 350	200A	387	201	182	80	265	155	84	290
ES 600	250A	477	250	217	80	305	215	93	355
ES 950	300A	517	289	241	120	335	250	100	400
ES1600	350A	637	327	275	120	370	260	117	445
ES1600	400A	637	327	275	120	395	325	120	510
PS2500	450A	570	386	358	150	440	345	123	565
PS2500	500A	570	386	358	150	470	390	125	620

# PNEUMATIC ACTUATOR & VALVE

## BUTTERFLY VALVE - WAFER (DOUBLE ACTING ACTUATOR)



NOTE : 1) DOUBLE ACTING TYPE

2) ACC'Y OPTION : SOLENOID VALVE, LIMIT S/W BOX, AIR SET

\*\* DIMENSION / STANDARD MODEL

### Specifications

#### -Actuator

- pressure 0.2to 10 bar
- temperature -20°C to +80°C
- rotation 91.5° (0.5° cw to 91° ccw)
- materials casing : aluminium alloy  
shaft : high-grade aluminium alloy
- finish 2-component polyurethane
- service life one million operations, minimum

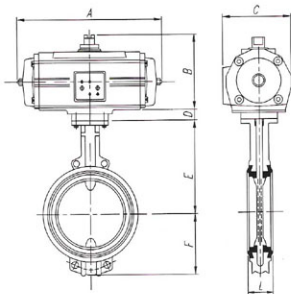
#### -Valve Material

PART NAME	MATERIAL
BODY	DUCTILE IRON
DISC	SCS 13
STEM	SUS 304
SEAT	EPDM
CONNECTION	JIS 10K WAFER
MAX. TEMP.	120°C

MODEL	SIZE	A	B	C	D	E	F	L	P.C.D
ED 40	50A	180	113	96	60	161	80	43	120
ED 40	65A	180	113	96	60	175	89	46	140
ED 65	80A	199	125	109	60	181	95	48	150
ED 65	100A	199	125	107	60	200	114	52	175
ED 100	125A	221	138	117	60	213	127	56	210
ED 200	150A	283	163	137	80	226	139	56	240
ED 200	200A	283	163	137	80	260	175	60	290
ED 350	250A	305	201	182	80	292	203	68	355
ED 600	300A	387	250	217	120	337	242	78	400
ED 950	350A	424	289	241	120	368	267	78	445
ED 950	400A	424	289	241	120	400	309	102	510
ED1600	450A	516	327	275	150	422	328	114	565
PD2500	500A	378	386	358	150	480	361	127	620

# PNEUMATIC ACTUATOR & VALVE

## BUTTERFLY VALVE - WAFER (SPRING RETURN ACTUATOR)



NOTE: 1) SINGLE ACTING TYPE

2) ACC'Y OPTION : SOLENOID VALVE, LIMIT S/W BOX, AIR SET

\*\* DIMENSION / STANDARD MODEL

### Specifications

#### - Actuator

- pressure 0.2 to 10 bar
- temperature -20°C to +80°C
- rotation 91.5° (0.5° cw to 91° ccw)
- materials casing : aluminium alloy  
shaft : high-grade aluminium alloy
- finish 2-component polyurethane
- service life one million operations, minimum

#### - Valve Material

PART NAME	MATERIAL
BODY	DUCTILE IRON
DISC	SCS 13
STEM	SUS 304
SEAT	EPDM
CONNECTION	JIS 10K WAFER
MAX. TEMP.	120°C

MODEL	SIZE	A	B	C	D	E	F	L	P.C.D
ES 40	50A	204	113	96	60	161	80	43	120
ES 40	65A	204	113	96	60	175	89	46	140
ES 65	80A	249	125	109	60	181	95	46	150
ES 100	100A	267	138	117	60	200	114	52	175
ES 200	125A	360	163	137	60	213	127	56	210
ES 200	150A	360	163	137	80	226	139	56	240
ES 350	200A	387	201	182	80	260	175	60	290
ES 600	250A	477	250	217	80	292	203	68	355
ES 950	300A	517	289	241	120	337	242	78	400
ES1600	350A	637	327	275	120	368	267	78	445
ES1600	400A	637	327	275	120	400	309	102	510
PS2500	450A	570	386	358	150	422	328	114	565
PS2500	500A	570	386	358	150	480	361	127	620